

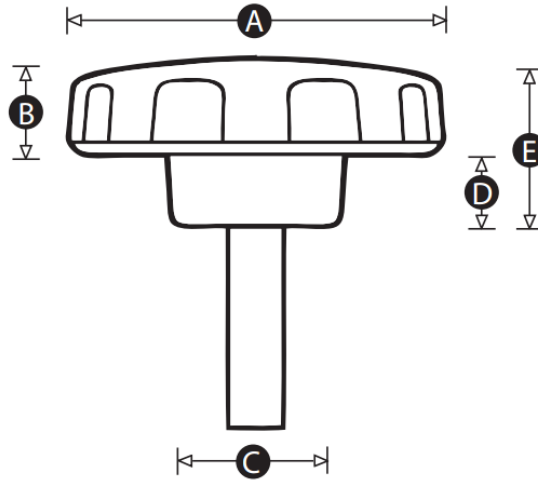
## G06MPK Male Lobe Knob

### Features

- Designed for food and medical industries
- Suitable for all other applications
- Heavy duty

### Material

- Body: Duroplast, black, gloss finish
- Thread: Zinc plated steel



Part No.	A	B	C	D	E	Thread Size	Thread Length
G06MPK-4070V	32	11	18	8	19	M6	15
G06MPK-1306X							20
G06MPK-1307T							25
G06MPK-1308P							30
G06MPK-1325Y	44	13	24	8	21	M8	20
G06MPK-1327Q							25
G06MPK-2861P							30
G06MPK-2868T	57	18	18	12	27	M10	20
G06MPK-M1025GW		15	25				25
G06MPK-1343S				30			
G06MPK-4683P	70	18	28	14	32	M12	40
G06MPK-1361X							40
G06MPK-5405P							50